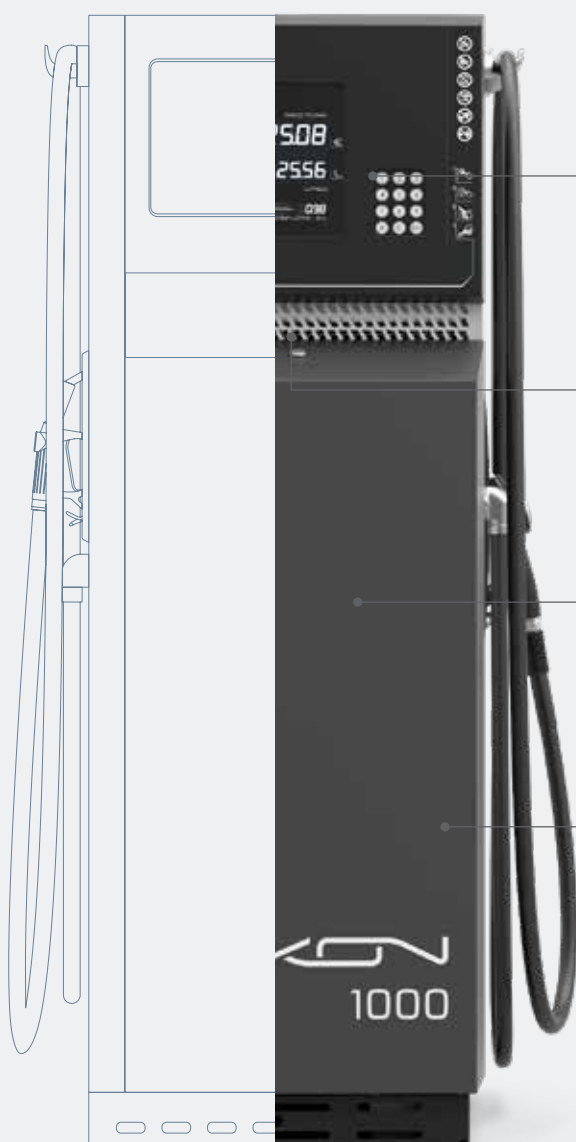


AXON 1000

DISPENSING
SOLUTIONS

With the smallest footprint of the family, the A1000 is the entry-level model of the Axon range. With one fuel grid, one or two hoses and a dispensing capacity of up to 130 L/min, it uses the same core technologies as the premium retail dispenser range.



Larger and brighter display, providing crisp digits under any lighting conditions

Easier Maintenance and Serviceability

Panels in aluminium and double coated painting

Housing in 304 or 316 stainless steel

A1000 is the right choice for those who are looking for basic features with a great performance.

10, 40, 60, 80, 130 L/min

Up to 1 Fuel Grades

Multiple Fuel Types

Up to 2 hoses

THE SMALLEST
FOOTPRINT IN THE
ENTIRE RANGE.



THE SMALLEST FOOTPRINT IN THE ENTIRE RANGE.

> Designed to fit any location with limited space.

> Flexible configuration:
One fuel grid, one or two hoses, or two fuel grades
(dispensing capacity up to 130 L/min).

> Built with the same core technologies used in
our premium dispenser line, ensuring durability,
precision, and long-term reliability.

> An ideal choice for operators seeking robust,
high-performance equipment with essential
features and excellent value.

> Available with Standard Housing
or Aerial Arm configurations.

> Suitable for public retail fuelling, private/
commercial consumption, and full integration
with fleet management systems.

A1000
1P



A1000
2P



A1000
2P Aerial Arm



A1500
Industry 1P



A1500
Industry 2P

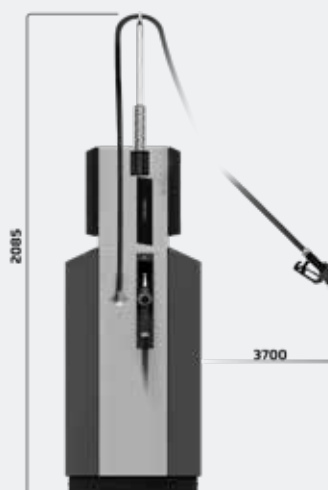
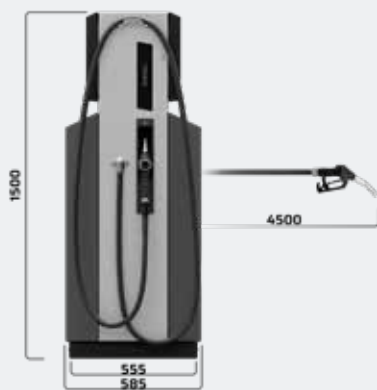


A1500
Fleetsys



DIMENSIONS

MOD.EN.CAT.AXON.1000.PL.V10_21042026



Note: All dimensions are in mm.